

## How to wire my Galaxy Control Unit for 220 Volt

Please Note: All units come from factory wired for 220 vac. All units can be changed for 120 or 208 vac in the field. Please pay attention to diagrams below to change input voltage.

### WIRING A GALAXY CONTROL UNIT FOR 220 VOLT ONLY

**THIS ILLUSTRATION IS FOR 220 VOLT ONLY**

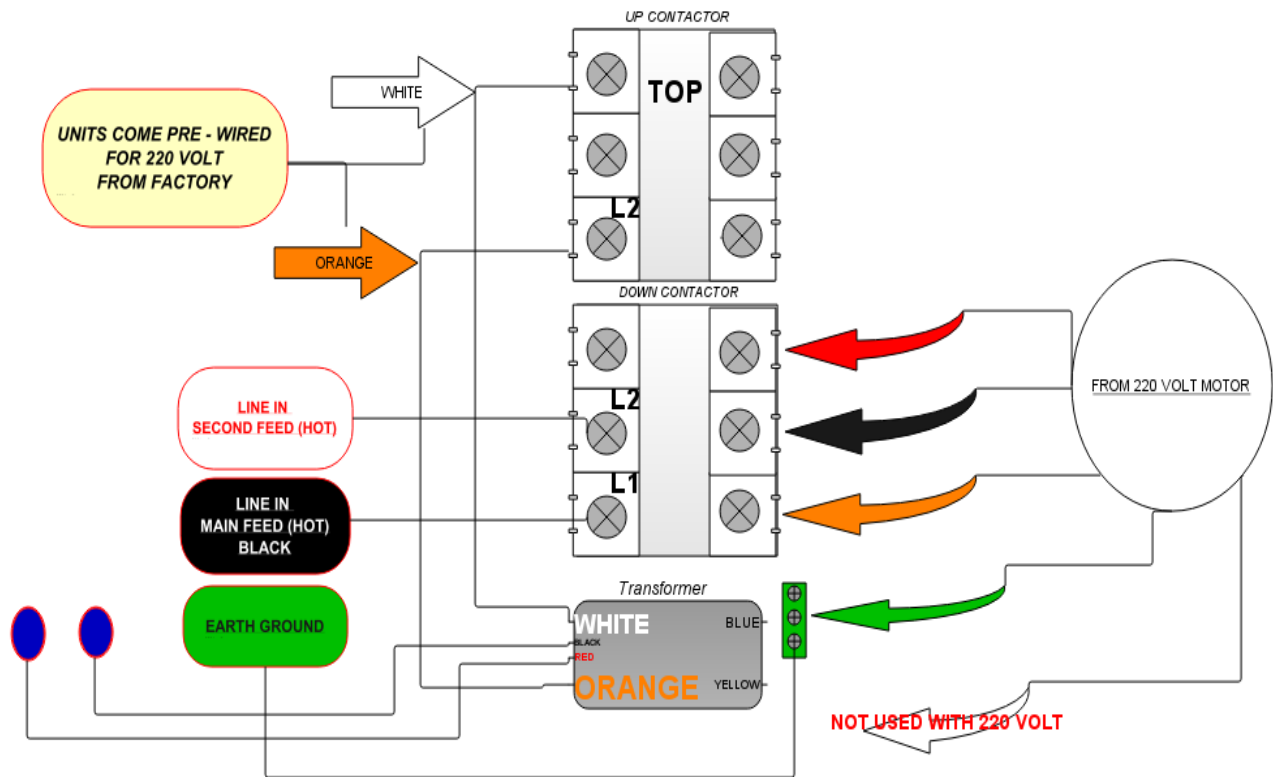
*Please read all instructions below, if you feel unsure about the operation or installation of this unit please contact a local electrician or feel free to contact our office 888-317-7203.*

**GALAXY UNLIMITED LLC is NOT responsible for incorrect field wiring or damage to equipment or harm to anyone or anything.**

*Incorrect field wiring will void warranty.*

*All of our units are ETL listed and are tested prior to delivery.*

*Please test voltage before connecting. Max voltage 240 VAC*



Control Unit Wiring 220 VAC  
Galaxy Unlimited LLC:  
Shane Clayton 1-16

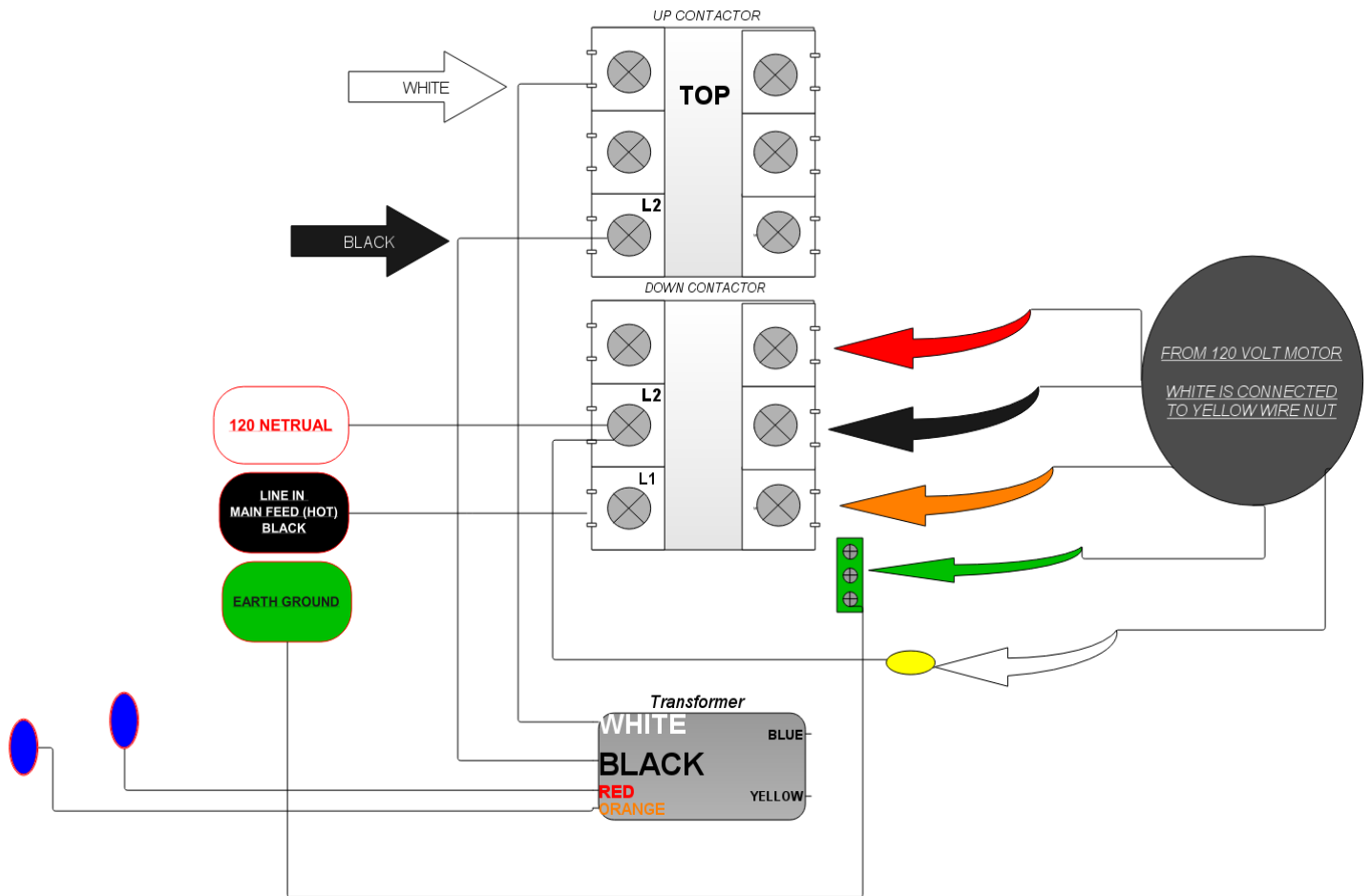
## How to wire my Galaxy Control Unit for 120 Volt

### WIRING A GALAXY CONTROL UNIT FOR 120\* VOLT ONLY

**THIS ILLUSTRATION IS FOR 120\* VOLT ONLY**

Please read all instructions below, if you feel unsure about the operation or installation of this unit please contact a local electrician or feel free to contact our office 888-317-7203.  
GALAXY UNLIMITED LLC is NOT responsible for incorrect field wiring or damage to equipment or harm to anyone or anything.  
Incorrect field wiring will void warranty.  
All of our units are ETL listed and are tested prior to delivery.  
\* PLEASE CHECK LINE IN VOLTAGE before connecting. Max voltage 125 VAC

**\*\* Please note, units come pre - wired from factory for 220 volt.  
YOU MUST UNPLUG ORANGE FROM L2 TOP CONTACTOR AND CAP OFF.  
Replace with BLACK wire**



Control Unit Wiring 120 VAC  
Galaxy Unlimited LLC:  
Shane Clayton 1-16

## How to wire my Galaxy Control Unit for 208 Volt

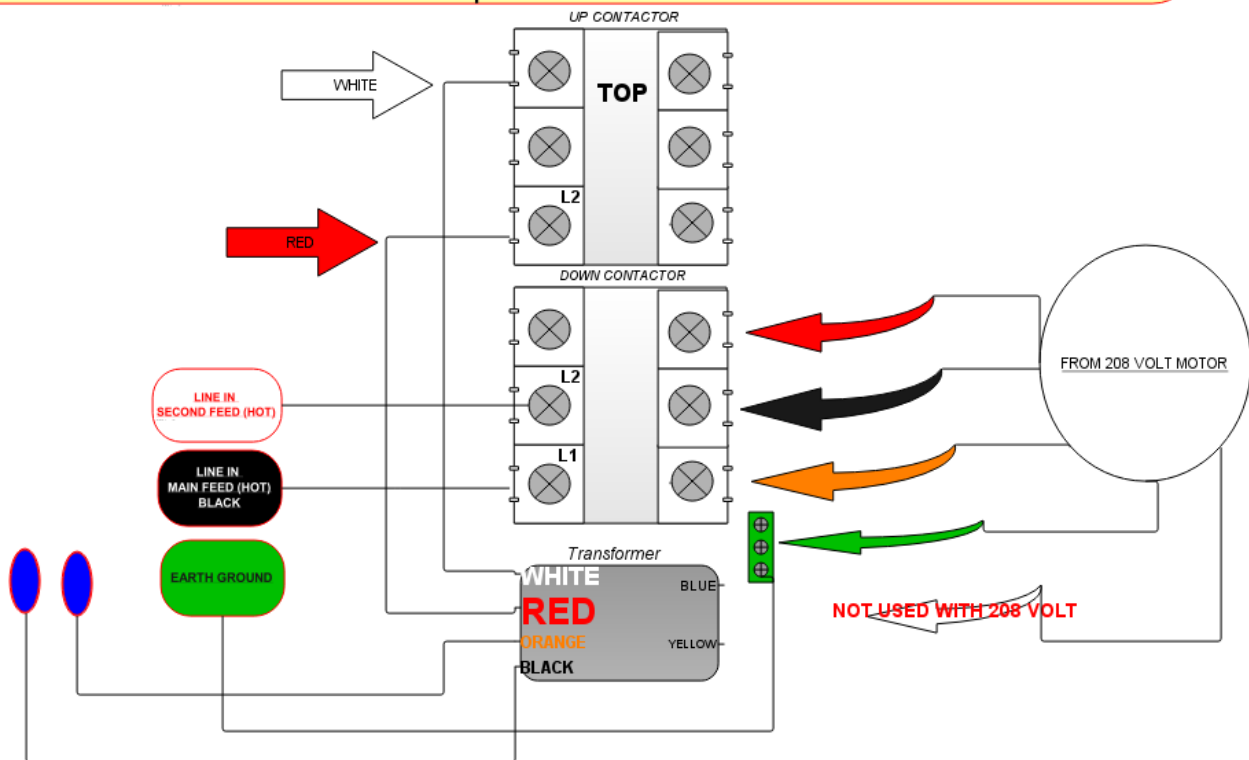
### WIRING A GALAXY CONTROL UNIT FOR 208\* VOLT ONLY

**THIS ILLUSTRATION IS FOR 208\* VOLT ONLY**

Please read all instructions below, if you feel unsure about the operation or installation of this unit please contact a local electrician or feel free to contact our office 888-317-7203.  
GALAXY UNLIMITED LLC is NOT responsible for incorrect field wiring or damage to equipment or harm to anyone or anything.  
Incorrect wiring will void warranty.  
All of our units are ETL listed and are tested prior to delivery.  
\* PLEASE CHECK LINE IN VOLTAGE 206 - 210 VAC MAX

**\*\* Please note, units come pre - wired for 220 volt.**

**YOU MUST UNPLUG ORANGE FROM L2 TOP CONTACTOR AND CAP OFF.  
Replace with RED wire.**



Control Unit Wiring 208 VAC  
Galaxy Unlimited LLC:  
Shane Clayton 1-16