

**WIRING A GALAXY CONTROL UNIT FOR 208\* VOLT ONLY**

**THIS ILLUSTRATION IS FOR 208\* VOLT ONLY**

*Please read all instructions below, if you feel unsure about the operation or installation of this unit please contact a local electrician or feel free to contact our office 888-317-7203.*

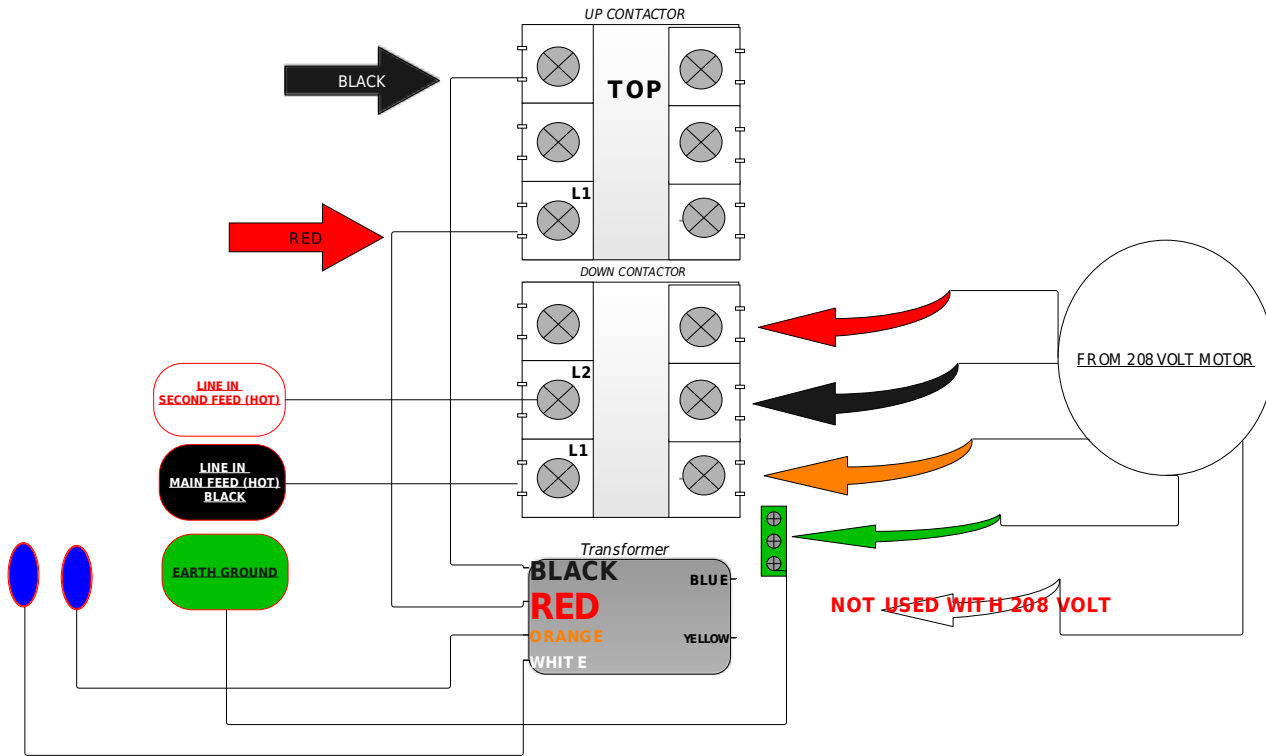
**GALAXY UNLIMITED LLC is NOT responsible for incorrect field wiring or damage to equipment or harm to anyone or anything. Incorrect wiring will void warranty.**

**All of our units are ETL listed and are tested prior to delivery.**

**\* PLEASE CHECK LINE IN VOLTAGE 206 - 210 VAC MAX**

**\*\* Please note, units come pre-wired for 220 volt.**

**YOU MUST UNPLUG THE ORANGE FROM L1 TOP CONTACTOR AND CAP OFF. Replace with RED wire.**



Control Unit Wiring 208 VAC  
Galaxy Unlimited LLC:  
Shane Clayton 1-16