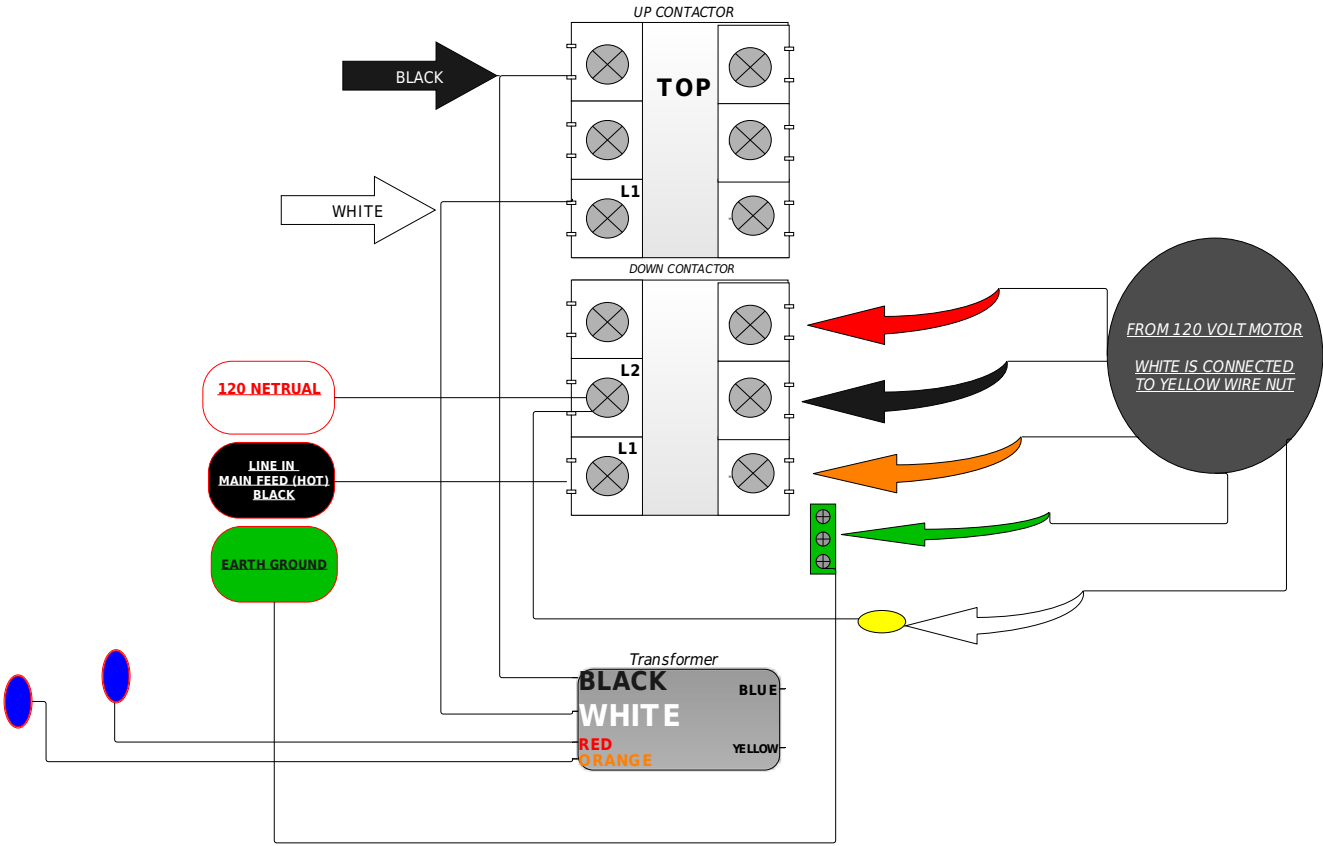


WIRING A GALAXY CONTROL UNIT FOR 120* VOLT ONLY

THIS ILLUSTRATION IS FOR 120* VOLT ONLY
 Please read all instructions below, if you feel unsure about the operation or installation of this unit please contact a local electrician or feel free to contact our office 888-317-7203.
GALAXY UNLIMITED LLC is NOT responsible for incorrect field wiring or damage to equipment or harm to anyone or anything.
 Incorrect field wiring will void warranty.
 All of our units are ETL listed and are tested prior to delivery.
 * PLEASE CHECK LINE IN VOLTAGE before connecting. Max voltage 125 VAC

**** Please note, units come pre - wired from factory for 220 volt.**
YOU MUST UNPLUG ORANGE FROM L1 TOP CONTACTOR AND CAP OFF.
Replace with WHITE wire



Control Unit Wiring 120 VAC
 Galaxy Unlimited LLC:
 Shane Clayton 1-16