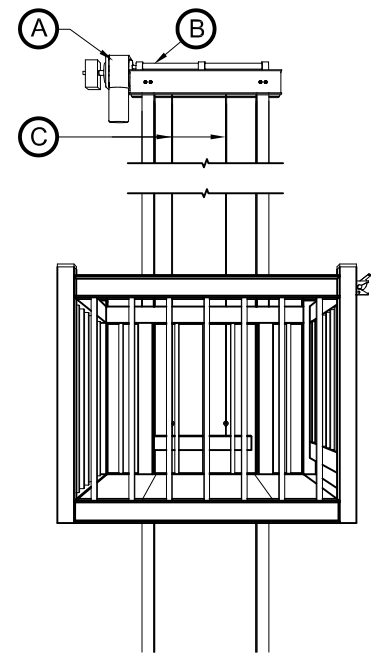
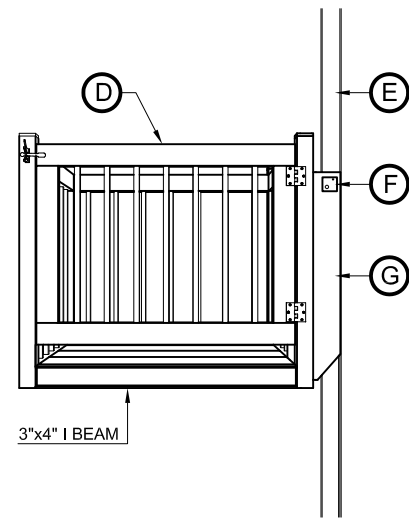


DUAL MAST 1000 LB. CARGO LIFT



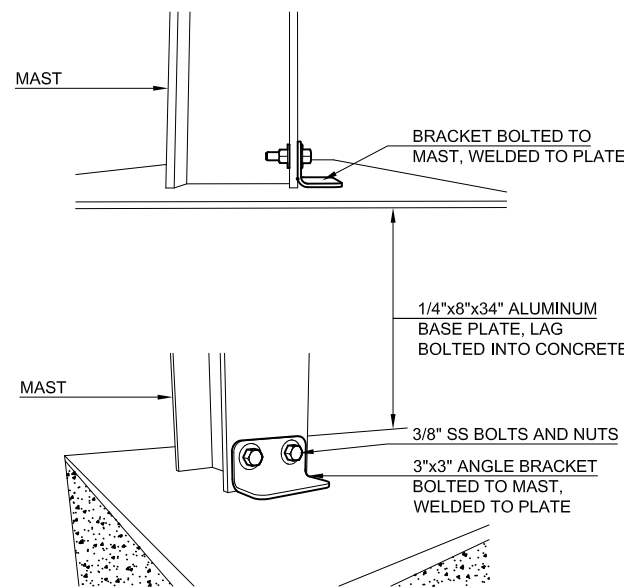
FRONT ELEVATION
NOT TO SCALE



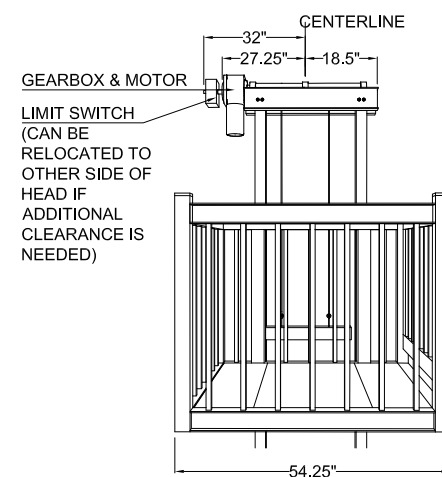
GATE (SIDE) ELEVATION
NOT TO SCALE

	A	B	C	D	E	F	G
CAPACITY	MOTOR	GEAR DRIVE	CABLES	CAGE WELDMENT	MAST	CAGE ROLLERS	GUIDE PLATES
1000#	1 HP	100:1 RATIO	DUAL 1/4" DIA. SS	6061 AL EXTRUSION WELDMENT	1/4"x3"x4" ALUMINUM I-BEAM	3" DELRIN ROLLERS	1/4"x8"x44" ALUMINUM 4 PER UNIT

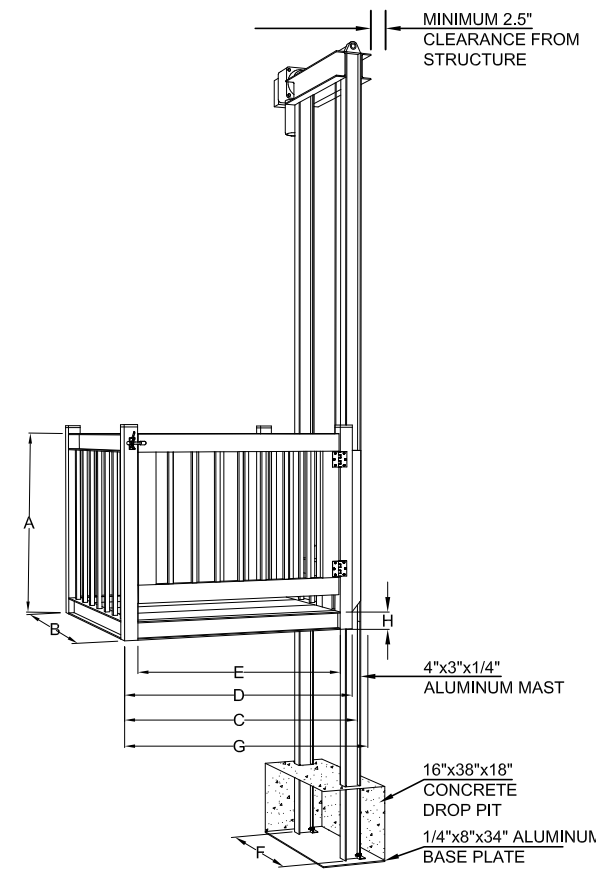
* ALL BOLTS ARE 1/2" SS WITH WASHERS AND NUTS (ALL HARDWARE IS 316 SS)
* FOR CARGO USE ONLY. NOT FOR HUMAN TRANSPORT



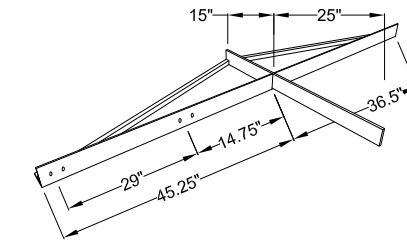
MAST CONNECTION PLATE DETAILS
NOT TO SCALE



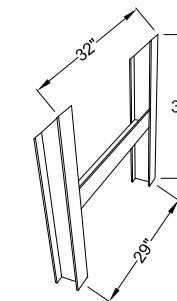
STANDARD WIDTH BASKET
NOT TO SCALE



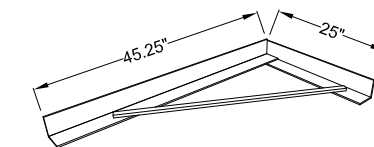
CARGO LIFT ELEVATION
NOT TO SCALE



ARROW BRACE
NOT TO SCALE



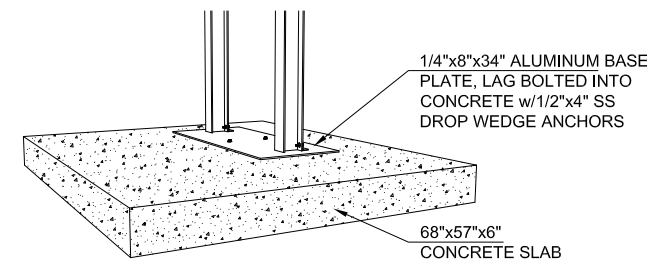
FLUSH BRACE
NOT TO SCALE



ANGLE BRACE
NOT TO SCALE

GALAXY UNLIMITED, LLC DIMENSIONS

A	HAND RAIL HEIGHT	46"
B	OUTSIDE SIDE TO SIDE	54.25"
C	BACK OF BEAMS TO CAGE FRONT (OUTSIDE)	60.5"
D	BACK OF CAGE TO FRONT OF CAGE (OUTSIDE)	54.25"
E	BACK TO FRONT (INSIDE)	48.25"
F	BEAM WIDTH (OUTSIDE) (CENTER TO CENTER)	32" 29"
G	BACK OF POWER HEAD TO CAGE FRONT (OUTSIDE)	63.5"
H	FLOOR THICKNESS	4"



ALTERNATE BASE
NOT TO SCALE

STRUCTURAL ENGINEERING CERTIFICATION:
THE WIND LOAD FOR THIS FABRICATED LIFT AT GROUND LEVEL WILL WITHSTAND A WIND LOAD OF 200 MPH, 3 SECOND WIND GUST PER IRC 2015 AND IBC 2015.

REV. No.	DATE	REVISION	REV. BY	CKD. BY
RAMIREZ ENGINEERING Consulting Civil Engineers 964 Fischer Boulevard Toms River, New Jersey 08753 732-831-0152				
PROJECT: GALAXY UNLIMITED, LLC 6470 STATE HIGHWAY 198 MABANK, TEXAS 75156			TITLE: CARGO LIFT PLAN	
Richard P. Ramirez, P.E. TEXAS P.E. #124218				SCALE: AS NOTED CHECKED BY: dlm DRAWN BY: dlm
DATE: 01-27-2017		PROJECT No.		SHEET No. 1 of 1
DESIGNER:				